

PROFI 3 TI – 20 TI

Technical Data

Type		3 TI		6 TI		10 TI		16 TI		20 TI	
Air pressure	PSI	65	85	65	85	65	85	65	85	65	85
	bar	4	6	4	6	4	6	4	6	4	6
Capacity	mt	3.2		6.3		10		16		20	
Number of chain strands		1		2		2		3		4	
Motor output	kW	1.8	3.5	1.8	3.5	1.8	3.5	1.8	3.5	1.8	3.5
	ft/min m/min	19.7 6	32.8 10	9.8 3	16.4 5	6.6 2	10.5 3.2	4.3 1.3	6.6 2	3.3 1	4.6 1.4
Lifting speed without load	ft/min	8.2	16.4	3.9	8.2	2.6	5.2	1.6	3.3	1.3	2.3
	m/min	2.5	5	1.2	2.5	0.8	1.6	0.5	1	0.4	0.7
Lifting speed at full load	ft/min	24.6	35.4	11.8	17.7	8.2	11.2	5.3	6.9	3.9	5.3
	m/min	7.5	10.8	3.6	5.4	2.5	3.4	1.6	2.1	1.2	1.6
Air consumption at full load – lifting	cfm	71	142	71	142	71	142	71	142	71	142
	m ³ /min	2	4	2	4	2	4	2	4	2	4
Air consumption at full load – lowering	cfm	124	195	124	195	124	195	124	195	124	195
	m ³ /min	3.5	5.5	3.5	5.5	3.5	5.5	3.5	5.5	3.5	5.5
Air connection		G 3/4		G 3/4		G 3/4		G 3/4		G 3/4	
Hose dimension (Ø inside)	inch	3/4		3/4		3/4		3/4		3/4	
	mm	19		19		19		19		19	
Weight with standard lift, rope control	lbs	189.6		242.5		343.9		529.1		627	
	kg	86		110		156		240		285	
Chain dimension	mm	13 x 36		13 x 36		16 x 45		16 x 45		16 x 45	
Weight of chain	lbs/ft	2.6		2.6		3.9		3.9		3.9	
	kg/m	3.8		3.8		5.8		5.8		5.8	
Standard lift	ft	10		10		10		10		10	
	m	3		3		3		3		3	
Length of control at standard lift	ft	6.5		6.5		6.5		6.5		6.5	
	m	2		2		2		2		2	
Noise level at full load ¹ – lifting	dB(A)	74	78	74	78	74	78	74	78	74	78
Noise level at full load ¹ – lowering	dB(A)	79	80	79	80	79	80	79	80	79	80

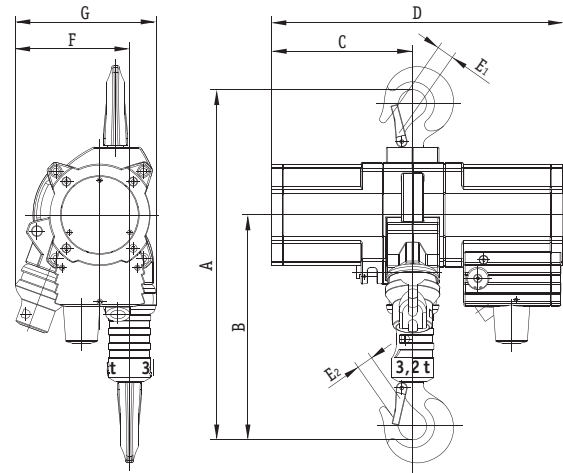


¹Measured at 1 m distance acc. to DIN 45635 part 20
Group mechanism at 6 bar: M3 (1 Bm)

Dimensions

Type		3 TI	6 TI	10 TI	16 TI	20 TI
A min. headroom ¹	inch	23.3	26.5	32	35.4	40.6
	mm	593	674	813	898	1030
B	inch	14.7	17.9	21.6	23.5	26.4
	mm	373	454	548	598	670
C	inch	9.2	9.2	12.1	15	15
	mm	233	233	308	382	382
D	inch	19	19	22.6	27.2	27.2
	mm	483	483	575	692	692
E ₁	inch	1.6	1.6	1.7	2.1	3
	mm	40	40	44	53	75
E ₂	inch	1.2	1.6	1.7	2.1	3
	mm	30	40	44	53	75
F up to hook centre	inch	7.4	6.1	7.8	7.8	7.1
	mm	187	154	197	199	180
G maximum width	inch	9.2	9.2	12	12.1	12.4
	mm	233	233	306	308	315

Chain containers increase the hoist headroom



HOISTS