

PROFI 25 TI – 100 TI



Technical Data

Type		25 TI	30 TI	37 TI	40 TI	50 TI	60 TI	75 TI	100 TI
Air pressure	PSI bar	85 6							
Capacity	mt	25	30	37.5	40	50	60	75	100
Number of chain strands		2	2	3	3	4	4	3	4
Motor output	kW	6.3						10.0	10.0
Lifting speed	ft/min m/min	7.9 2.4	7.9 2.4	5.6 1.7	5.6 1.7	4.3 1.3	4.3 1.3	2.8 0.85	2.3 0.7
Lifting speed at full load	ft/min m/min	4.1 1.25	3.3 1.0	2.5 0.75	2.3 0.7	1.8 0.55	1.5 0.45	1.5 0.45	1.1 0.35
Lowering speed at full load	ft/min m/min	9.2 2.8	9.2 2.8	6.6 2.0	6.6 2.0	5.3 1.6	5.3 1.6	3.3 1.0	2.6 0.8
Air consumption at full load – lifting	cfm m ³ /min	230 6.5						390 11	
Air consumption at full load – lowering	cfm m ³ /min	102 2.9						425 12	
Air connection		G 1 1/2							
Hose dimension (Ø inside)	inch mm	1 1/2 35							
Weight with standard lift, rope control	lbs kg	1213 550	1213 550	1874 850	1874 850	2072 940	2072 940	5622 2550	5820 2640
Chain dimension	mm	23.5 x 66						32 x 90	
Weight of chain	lbs/ft kg/m	8.2 12.2						14.3 21.3	
Standard lift	ft m	10 3							
Length of control at standard lift	ft m	6.5 2							
Noise level at full load ¹ – lifting	dB(A)	78						88	
Noise level at full load ¹ – lowering	dB(A)	82						89	

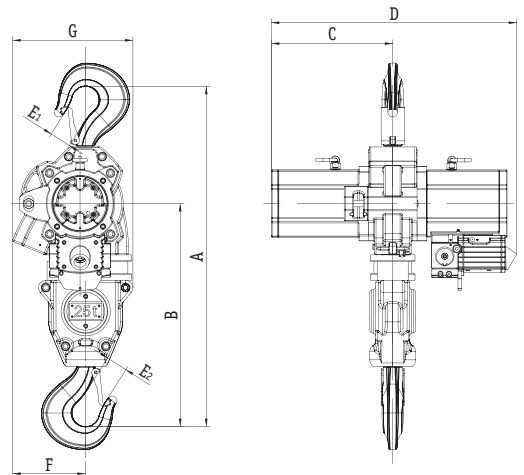


¹Measured at 1 m distance acc. to DIN 45635 part 20
Group mechanism at 6 bar: PROFI 25 TI – PROFI 50 TI M3 (1 Bm), PROFI 100 TI M2 (1 Cm)
4 bar versions on request

Dimensions

Type		25 TI	30 TI	37 TI	40 TI	50 TI	60 TI	75 TI	100 TI
A min. headroom ¹	inch mm	49.6 1260	49.6 1260	57.9 1470	57.9 1470	58.5 1485	58.5 1485	76.8 1950	86.6 2200
B	inch mm	32.6 827	32.6 827	36.8 935	36.8 935	37.4 950	37.4 950	50 1270	58.1 1475
C	inch mm	17.7 450	17.7 450	21.3 540	21.3 540	21.3 540	21.3 540	25.4 645	28.9 734
D	inch mm	35.4 900	35.4 900	42.5 1080	42.5 1080	42.5 1080	42.5 1080	50.8 1290	59.3 1505
E ₁	inch mm	3.0 75	3.0 75	3.9 100	3.9 100	3.9 100	3.9 100	4.7 120	4.7 120
E ₂	inch mm	3.0 75	3.0 75	3.9 100	3.9 100	3.9 100	3.9 100	4.7 120	4.7 120
F up to hook centre	inch mm	10.6 270	10.6 270	11.2 285	11.2 285	9.8 250	9.8 250	26 660	17.3 440
G maximum width	inch mm	17.5 445	17.5 445	17.7 450	17.7 450	16.9 430	16.9 430	41 1040	30.2 767

¹Chain containers increase the hoist headroom



HOISTS