



**Important:**

It is the owner's or operator's responsibility to determine the suitability of the equipment to its intended use. Study all applicable codes, manuals, and regulations. Be sure to read the Owner's Manual supplied with the equipment before operating it.

**Model 548  
Portable Floor Crane**

Up to 1000 lb Capacity

- **Manually Operated Hydraulic Jack** for raising the boom, equipped with a control knob for smooth lowering of loads.
- **Collapsible Crane** folds down into 16 x 17 x 57 inch compact unit for storage or transport. Boom lowers into mast, legs are removed and placed inside mast uprights.
- **Boom Telescopes** to 4 different lengths to extend reach. Load rating decreases as boom length is increased.
- **Overload Relief Valve** helps prevent overload damage by releasing hydraulic pressure when too large a load is placed on the crane.
- **Four Wheel Base** with scratch and spark resistant wheels in front, and caster wheels in back for 360° maneuverability. Four point support ensures stability under load.
- **Swivel Hook** allows rotation of load for accurate placement.
- **Cabled Pins** secure the legs to the base for quick installation and removal, cables ensure pins are not lost or misplaced when removed.
- **Two-year Limited Warranty**

**Model 548 – Section 4**

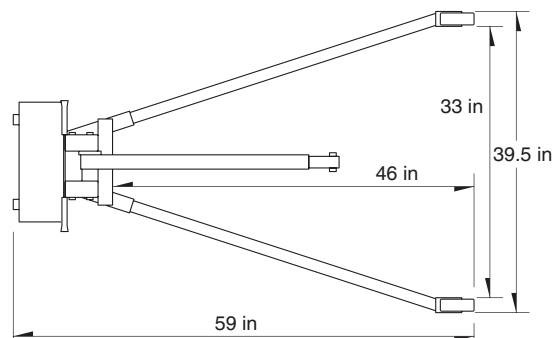
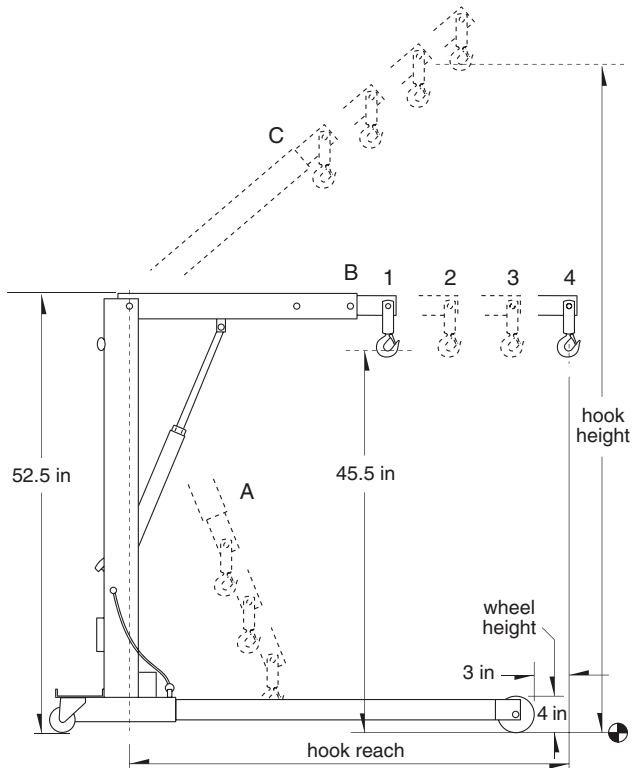
model	description	approx. ship wt.
548	1000 lb portable floor crane	154 lb

Please contact factory or nearest Thern Distributor for firm fixed price and delivery.

**Model 548 Specifications**

	load rating	max. hook reach (at B)	max. hook height (at C)
boom position 1	1000 lb	31.00 in	65.00 in
boom position 2	800 lb	38.00 in	69.50 in
boom position 3	680 lb	45.00 in	74.00 in
boom position 4	590 lb	52.00 in	78.50 in

Dimensions are for reference only and subject to change without notice.



Form FF10-0910

Thern products are not for lifting people or things over people.